

# CSHP-6128-04C5

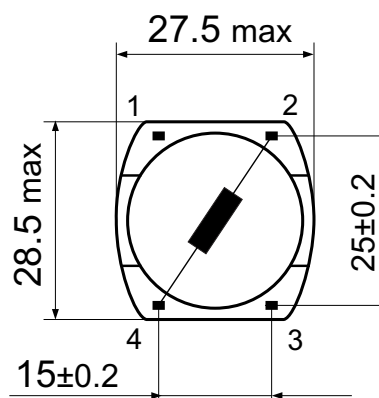
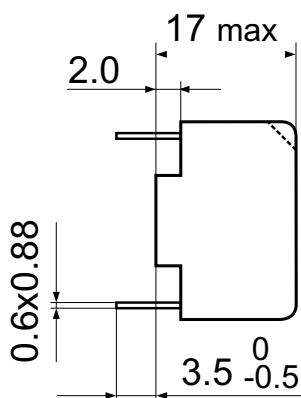
*Energy Storage Choke*  
*Energie Speicherdrossel*



COMPLIANT  
ENTSPRECHEN



## MECHANICAL DIMENSIONS / MECHANISCHE DIMENSIONEN



## DIAGRAM / SCHEMA



## FEATURES / EIGENSCHAFTEN

Climatic Class Klimaklasse	40/125/21 as per IEC 60068-1
Inflammability Brennbarkeit	UL 94 V-0
Current Derating Stromrücknahme	over 70°C: $I = I_N * \sqrt{(125 - \theta) / 55}$
L <sub>o</sub> Measured L <sub>o</sub> Gemessen	according to EN 60938-2
R <sub>cu</sub> Measured R <sub>cu</sub> Gemessen	at 25 °C ambient temperature

## ELECTRICAL DATA / ELEKTRISCHE WERTE

Operating Voltage / Betriebsspannung	<b>U<sub>R</sub> = 600 ( max )</b>	<b>V<sub>DC</sub></b>
Current / Strom	<b>I<sub>N</sub> = 4</b>	<b>A</b>
Inductance / Induktivität	<b>L<sub>o</sub> = 47 ± 15%</b>	<b>µH</b>
Cu-Resistance / Cu-Widerstand	<b>R<sub>Cu</sub> = 26 ± 10%</b>	<b>mΩ</b>
Power dissipation / Verlustleistung	<b>P<sub>Loss</sub> = 500</b>	<b>mW</b>
Test voltage / Prüf-Spannung	<b>U = 2000 / 2 sec.</b>	<b>V<sub>AC</sub></b>
Res. Frequency / Res. Frequenz	<b>f<sub>res.</sub> = 10 ( approx )</b>	<b>MHz</b>

Energy Storage Choke Energie Speicherdrossel	TECHNICAL DATA SHEET TECHNISCHES DATENBLATT	Part no. <b>CSHP-6128-04C5</b>	Tot. fogli/sheet : 1 Foglio/sheet nr. : 1
---	--	-----------------------------------	--